



SUNSAVER™
SOLAR CONTROLLER

Morningstar's **SunSaver** is the world's leading small solar controller for both professional and consumer applications.

SunSaver's technology provides:

- Exceptional Reliability
- PWM Battery Charging
- Consistent High Quality

The SunSaver's advanced design delivers outstanding performance and value. The SunSaver's low cost is made possible by Morningstar's unique approach to design and manufacturing:

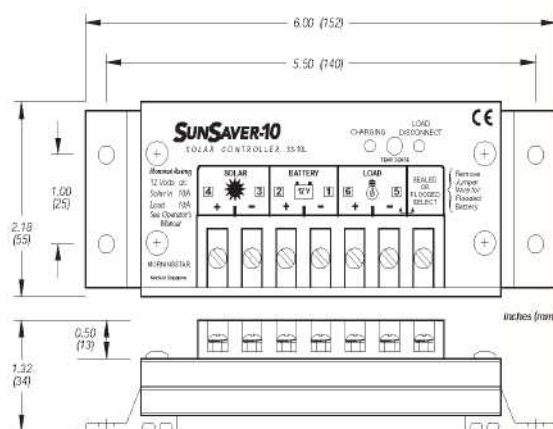
- Automated production
- ISO 9002 quality programs
- Latest power electronic technologies
- Latest control and logic technologies
- High volume manufacturing

Features:

- Eight versions available (see back)
 - 12 and 24 volts
 - 6, 10 and 20 amps
- 100% solid state
- Series design (not shunt)
- True 0 to 100% PWM duty cycle
- Setpoint accuracy to 35 mV
- Rated for 25% overloads
- Fully encapsulated in epoxy potting
- Marine rated terminals / anodized case
- Temperature compensation
- Sealed / Flooded battery select
- No need to derate
- Parallel for 40 amps or more
- Green charging / Red LVD indicators

SunSaver Model Selection Chart

| MODEL NUMBER | SOLAR RATING (Amps) | | | LOAD RATING (Amps) | | | LVD | 12V | 24V |
|--------------|---------------------|-------|------|--------------------|-------|------|-----|-----|-----|
| | 0 | 10 | 20 | 0 | 10 | 20 | | | |
| • SS-6 | 0-10 | 10-20 | 20-0 | 0-10 | 10-20 | 20-0 | Yes | Yes | Yes |
| • SS-6L | 0-10 | 10-20 | 20-0 | 0-10 | 10-20 | 20-0 | Yes | Yes | No |
| • SS-10 | 0-10 | 10-20 | 20-0 | 0-10 | 10-20 | 20-0 | Yes | Yes | Yes |
| • SS-10L | 0-10 | 10-20 | 20-0 | 0-10 | 10-20 | 20-0 | Yes | Yes | No |
| • SS-10-24V | 0-10 | 10-20 | 20-0 | 0-10 | 10-20 | 20-0 | Yes | No | Yes |
| • SS-10L-24V | 0-10 | 10-20 | 20-0 | 0-10 | 10-20 | 20-0 | Yes | No | No |
| • SS-20L | 0-10 | 10-20 | 20-0 | 0-10 | 10-20 | 20-0 | Yes | Yes | No |
| • SS-20L-24V | 0-10 | 10-20 | 20-0 | 0-10 | 10-20 | 20-0 | Yes | No | No |

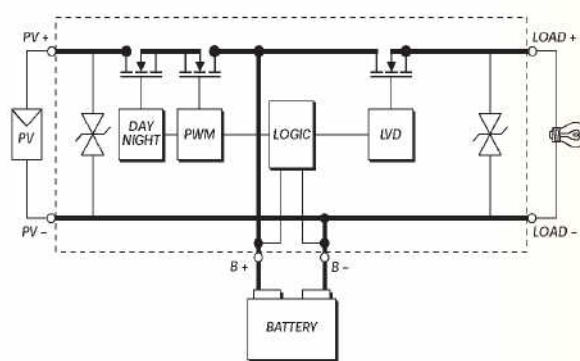


Mechanical Specifications

- Wire size #10 AWG (5.2 mm²)
- Anodized aluminum case
- Marine rated terminals
- Epoxy encapsulated
- Weight is 8 oz (0.23 kg)

Electrical Specifications

| | 12 Volt | 24 Volt |
|----------------------|--------------|-----------|
| Rated Solar Input | 6.5/10/20 A | |
| Rated Load | | 6/10/20 A |
| 25% Current Overload | 5 min. | 5 min. |
| Regulation Voltage: | | |
| Sealed Battery | 14.1 V | 28.2 V |
| Flooded Battery | 14.4 V | 28.8 V |
| Load Disconnect | 11.5 V | 23.0 V |
| LVD Reconnect | 12.6 V | 25.2 V |
| Temp. Comp. (mV/°C) | -28 | -56 |
| Self-consumption | 6 to 10 mA | |
| Operating Temp. | -40 to +85°C | |



WARRANTY: Five year warranty period. Contact Morningstar or your authorized distributor for complete terms.

AUTHORIZED MORNINGSTAR DISTRIBUTOR:

Available From



38150 River Frontage Rd.
New Castle CO.
970-984-3750
solarpanelstore.com



1098 Washington Crossing Road
Washington Crossing, PA 18977 USA
Tel: 215-321-4457 Fax: 215-321-4458
E-mail: info@morningstarcorp.com
Website: www.morningstarcorp.com

