

Air Pressure Transducer - Piezoelectric pressure sensor PROVIENTO PPS 162-166

Measurement principle and Mounting

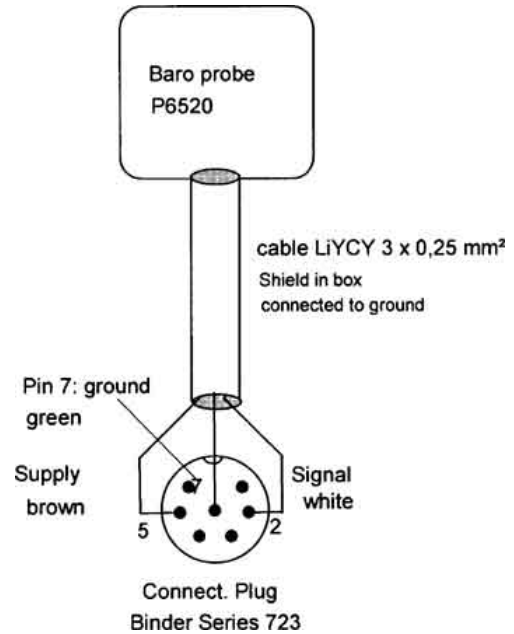
The piezoelectric pressure sensor provides an output signal of 0 .. 5 Volt.

The sensor is installed in a weather proofed, solid, well aerated plastic box.

The connecting cable is included in delivery, and, if required ready for connection with plug for your data logger.

In measurement operation the sensor needs an external supply of at least seven Volt DC. Thus, supply the weather station with a continuous external supply of at least 9 V. Then it is guaranteed that you get reliable data even under extreme operation conditions.

The sensor is compatible to other active analog baro sensors. If you connect the baro sensor to our data logger, insert the calibration curve as parameter.



Parameter	Minimum			
	674	-	974	hPa
Supply voltage	7	-	24	V DC
Temperature limits	- 40	-	+ 85	°C
Compensated temperature range	- 10	-	+ 60	°C
Response time	-	1,0	-	ms
Non-linearity and hysteresis	-	0,005	0,1	% FSO
Temperature effects(compensated range)	-	0,05	0,3	% FSO / 10°C
Offset at 674 hPa	- 0,05	0,0	+ 0,05	V
Output at 974 hPa	4,95	5,0	5,05	V
Long-term stability ⁽¹⁾	-	0,005	0,1	% vom FSO

1) Change in output after one year or 1 million pressure cycles

